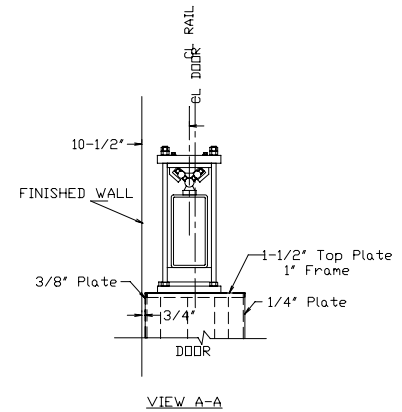
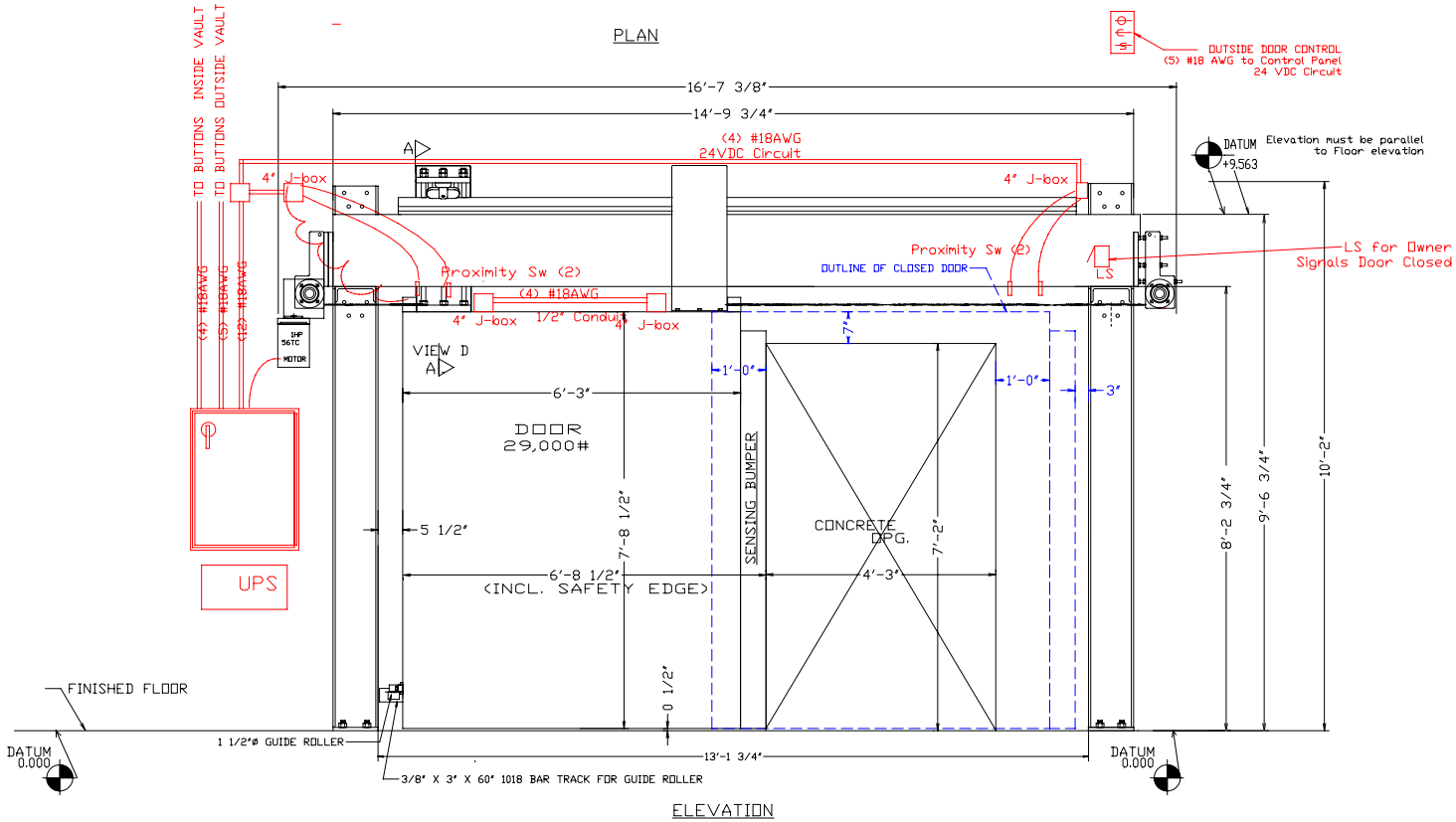


1. POWER FAILURE- A battery powered UPS will provide power to open door on power failure.
In case of malfunction in battery operation the door may be operated manually.
The ratchet puller may be used to assist opening.
2. DOOR OBSTRUCTED- If the door is Closing when the obstruction occurs the door will Stop then reverse and Open.



NOTE: SHEILDING MUST BE VERIFIED BY THE PHYSICIST OF RECORD

NOTE: 1: Fused 120VAC 60Hz Single Phase 20Amp Service required
2: Contractor to furnish and install all conduit and wiring

CONTRACT NO.		COMPANY		
DRAWN BY	DATE	PITTS LITTLE Co.		
CHECKED BY				
DESIGNED BY		TITLE		
DESIGN ACTIVITY		DOOR OPERATOR- PLAN & ELEVATION		
CUSTOMER		SIZE	FSCM NO.	DWG NO. / FILE NAME
				TYPICAL CONFIGURATION
		SCALE	DATE	SHEET
			10/31/2005	1 of 1